



# MASTER LEDspot ExpertColor LV



## MASTER LED ExpertColor 6.7-35W MR16 927 36D

MASTER LEDspot LV ExpertColor creates a warm and comfortable ambience for hospitality venues, homes and restaurants. It creates such an ambience with superior lighting that has a customised spectrum, high CRI and deep dimming feature. The result? A beautiful lighting experience. What's more, the innovative, trimless lens design will suit almost any interior decor with its clean and neat look. In addition, you can take advantage of the full ExpertColor family, which also includes LEDspot MV lamps.

### Product data

General Information		Colour rendering index (CRI)	
Cap base	GU5.3		97
Nominal lifetime	40,000 h	LLMF at end of nominal lifetime (nom.)	70 %
Switching Cycle	50,000	Luminous flux in 90° cone (rated)	420 lm
Lighting Technology	LED	Photobiological safety according to EN 62471	RG1
Flux measurement reference	Narrow Cone	Operating and Electrical	
CE mark	Yes	Line Frequency	- Hz
EU RoHS compliant	Yes	Input frequency	- Hz
Light Technical		Power Consumption	6.7 W
Colour Code	927 [CCT of 2700K]	Lamp current (nom.)	650 mA
Beam angle (nom.)	36 degree(s)	Wattage equivalent	35 W
Luminous Flux	420 lm	Starting time (nom.)	0.5 s
Luminous intensity (nom.)	1,300 cd	Warm-up time to 60% light	0.5 s
Colour designation	Warm White (WW)	Power Factor (Fraction)	0.7
Correlated Colour Temperature	2700 K	Voltage (nom.)	ac electronic 12 V
Luminous efficacy (rated) (nom.)	62 lm/W		
Colour consistency	<3		

# MASTER LEDspot ExpertColor LV

## Temperature

T-Case maximum (nom.)	92 °C
-----------------------	-------

## Controls and Dimming

Dimmable	Only with specific dimmers
----------	----------------------------

## Mechanical and Housing

Bulb shape	MR16
------------	------

## Approval and Application

Energy Efficiency Class	G
Suitable for accent lighting	Yes
Energy consumption kWh/1,000 hours	7 kWh
EPREL registration number	624210
EyeComfort	Yes

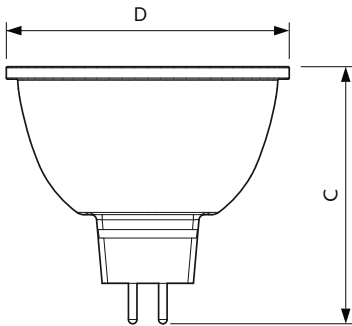
## Application Conditions

Can it be used in closed luminaires	No
-------------------------------------	----

## Product Data

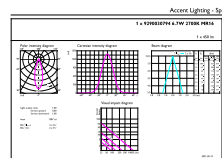
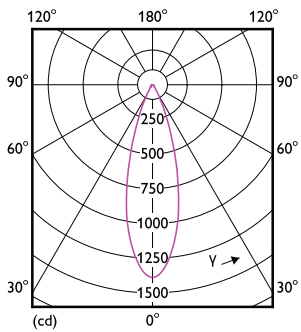
Order product name	MAS LED ExpertColor 6.7-35W MR16 927 36D
Full product name	MASTER LED ExpertColor 6.7-35W MR16 927 36D
Full EOC	871951435859100
Order code	35859100
Material no. (12 NC)	929003079402
SAP numerator – quantity per pack	1
EAN/UPC – Product/Case	8719514358591
Numerator – packs per outer box	10
EAN/UPC - Case	8719514358607

## Dimensional drawing



Product	D	C
MAS LED ExpertColor 6.7-35W MR16 927 36D	50.5 mm	46 mm

## Photometric data

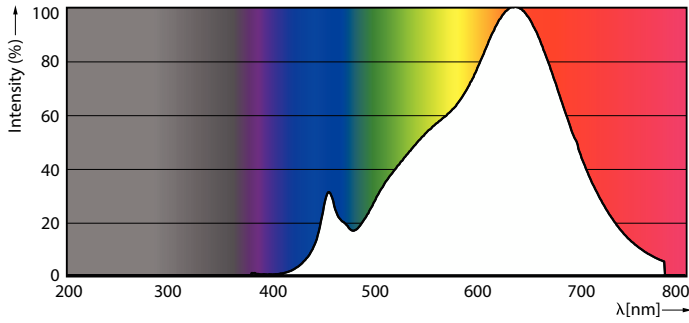


Light Distribution Diagram - MAS LED ExpertColor 6.7-35W MR16 927 36D

Accent Lighting Spots - MAS LED ExpertColor 6.7-35W MR16 927 36D

# MASTER LEDspot ExpertColor LV

## Photometric data



Spectral Power Distribution Colour - MAS LED ExpertColor 6.7-35W MR16 927 36D

## Lifetime



Life Expectancy Diagram - MAS LED ExpertColor 6.7-35W MR16 927 36D



Lumen Maintenance Diagram - MAS LED ExpertColor 6.7-35W MR16 927 36D

